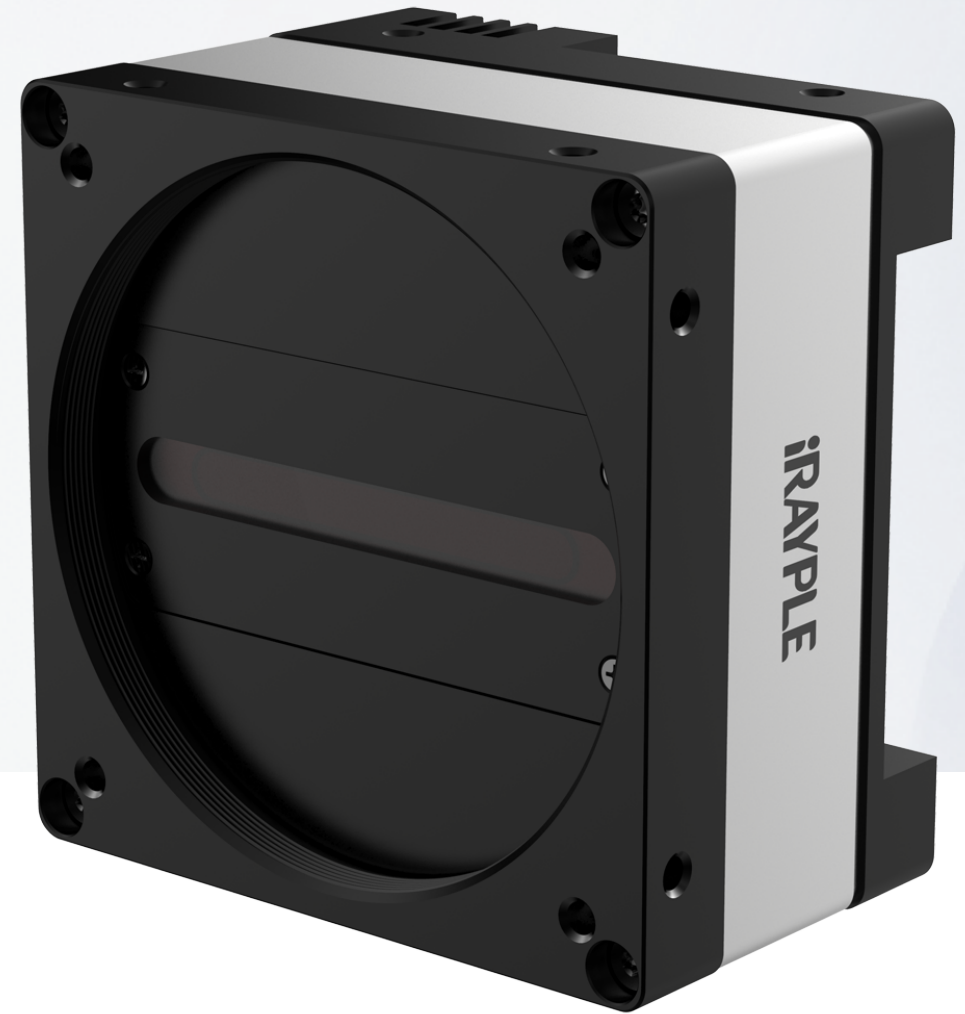


5000 series

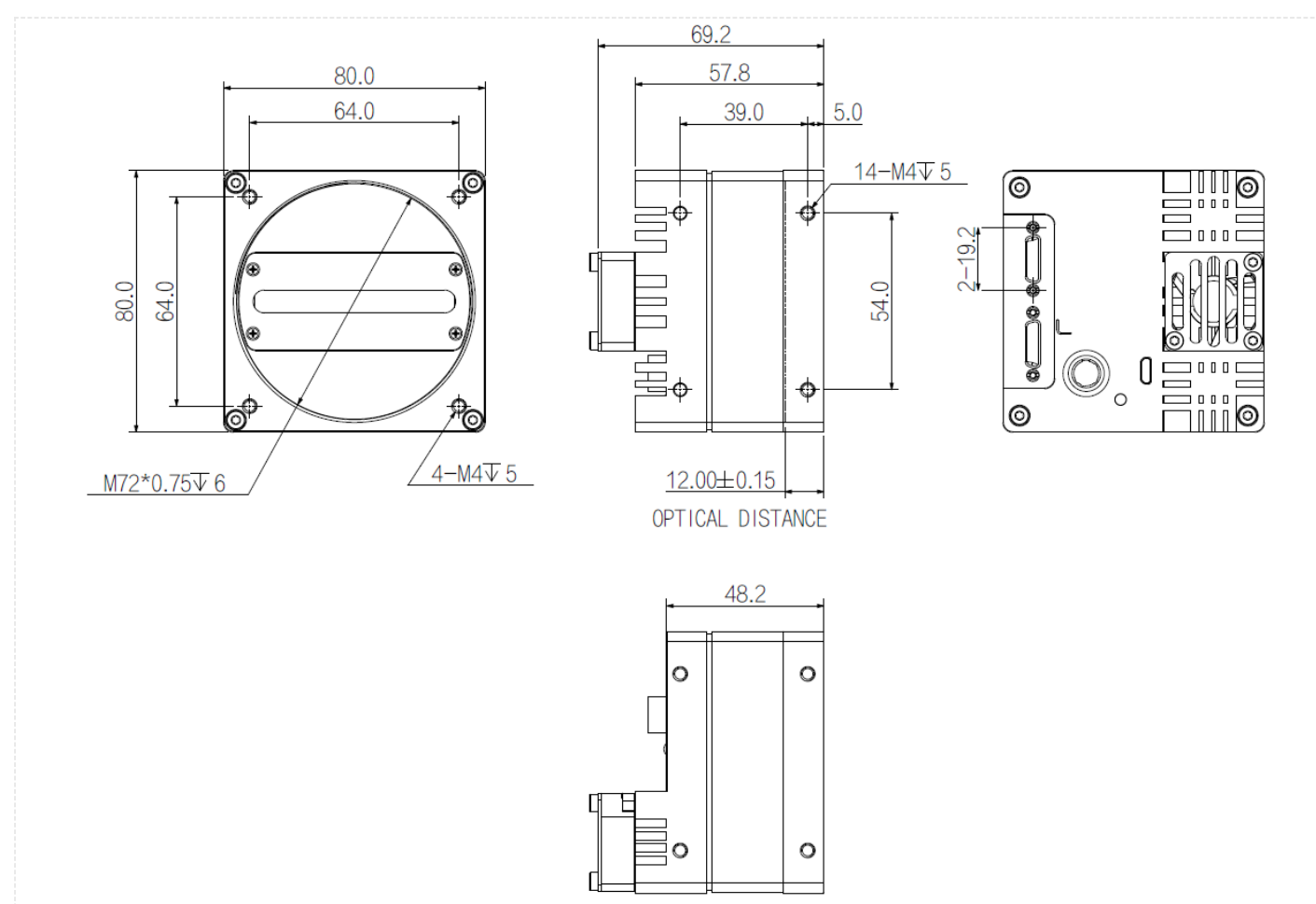
L5087CK670E



Features

- CameraLink supports Full, Medium, Base and Deca mode with maximum 6.8Gbps bandwidth;
- Supports external trigger, free run mode and multiple modes;
- Supports Gamma correction, LUT and other ISP functions;
- Applies DC 24V power supply;
- Compatible with Cameralink protocol and GenICam standard;
- Comply with CE, FCC, UL, RoHS certifications.

Dimensions (mm)



Specification

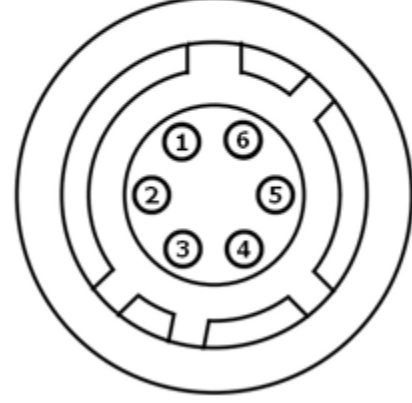
	Model	L5087CK670E
Basic	Sensor	8 K
	Image Sensor	CMOS
	Shutter	Global
	Resolution	8192 × 6
	Line Rate	34 kHz
	Bit Depth	10
	Mono/Color	Colour
	Pixel Size	5 μm × 5 μm
Image	Pixel	8192×6
	S/N Ratio	40 db
	WDR	62 db
	Image Format	RGB8
	ROI	Support
	X Flip	Support
	Gain	1~32
	White Balance	Support
	Gamma	From 0 to 4 , support LUT
	Exposure Time	3 μs~100 ms
	Trigger Mode	Software Trigger/Hardware Trigger/Free Run Mode
	FPN	Support
Performance	User Setting	Support two sets of user-defined configurations
	Pixel Clock	34 51 68 85MHz
Port	Port	CameraLink
	Lens Mount	M72
Power	Power Supply	DC24V power supply
	Power Consumption	12 W
Structure	Product Dimensions	80 mm×80 mm×57.8 mm(Not including rear case connector)
	Net Weight	520 g
Environment	Storage Temperature	- 30°C~+80°C
	Operating Temperature	- 30°C~+50°C

Connector Pin-out

Definitions of camera 6-pin ports:

Pin	Description	Features
1	Power	+ 24VDC power supply
2		not connected
3		
4		
5		
6	GND	Camera DC power ground

Definition of 6-pin power port



Spectrogram

