

5000 series

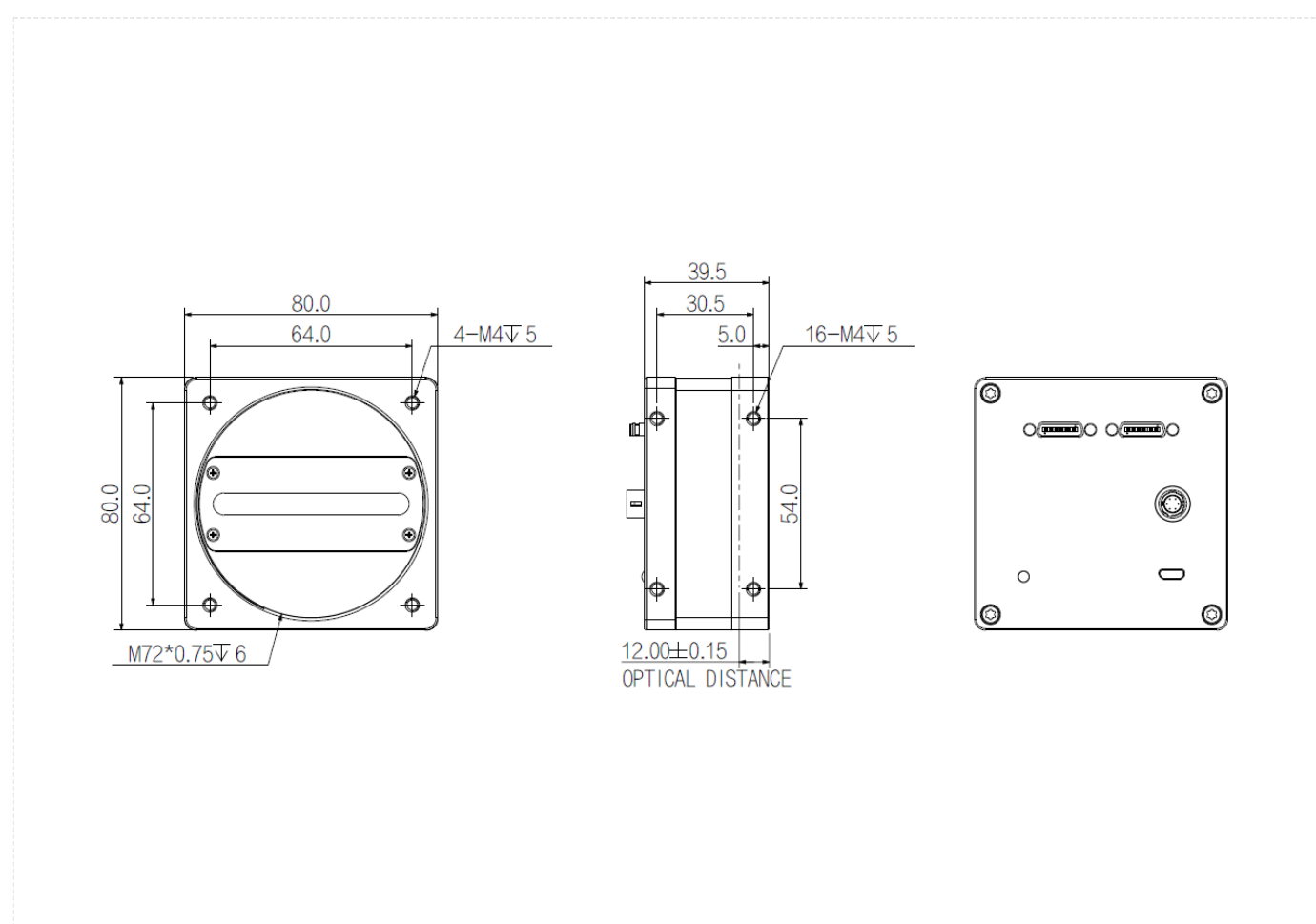
L5162MK170E



Features

- CameraLink supports Full, Medium, Base and Deca mode with maximum 6.8Gbps bandwidth;
- Supports external trigger, free run mode and multiple modes;
- Supports Gamma correction, LUT and other ISP functions;
- Applies DC 24V power supply;
- Compatible with Cameralink protocol and GenICam standard;
- Comply with CE, FCC, UL, RoHS certifications.

Dimensions (mm)



Specification

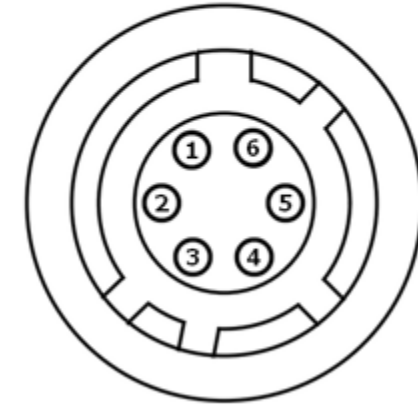
| | | |
|-------------|-----------------------|---|
| | Model | L5162MK170E |
| Basic | Sensor | 16 K |
| | Image Sensor | CMOS |
| | Shutter | Global |
| | Resolution | 16384 × 1 |
| | Line Rate | 50 kHz |
| | Bit Depth | 12 |
| | Mono/Color | Mono |
| | Pixel Size | 3.5 μm × 3.5 μm |
| Image | Pixel | 16384 × 1 |
| | S/N Ratio | 44 db |
| | WDR | 64 db |
| | Image Format | Mono8/10 |
| | Binning | Support |
| | ROI | Support |
| | X Flip | Support |
| | Gain | 1~32 |
| | Gamma | From 0 to 4 , support LUT |
| | Exposure Time | 3 μs~100 ms |
| | Trigger Mode | Software Trigger/Hardware Trigger/Free Run Mode |
| | FPN | Support |
| Performance | User Setting | Support two sets of user-defined configurations |
| | Pixel Clock | 34/51/68/85MHz |
| Port | Port | CameraLink |
| | Lens Mount | M72 |
| Power | Power Supply | DC12~24V power supply |
| | Power Consumption | 6 W |
| Structure | Product Dimensions | 80 mm × 80 mm × 39.5 mm (Not including rear case connector) |
| | Net Weight | 360 g |
| Environment | Storage Temperature | - 30°C~+80°C |
| | Operating Temperature | - 30°C~+50°C |

Connector Pin-out

Definitions of camera 6-pin ports:

| Pin | Description | Features |
|-----|-------------|------------------------------|
| 1 | Power | +12VDC to 24VDC power supply |
| 2 | | not connected |
| 3 | | |
| 4 | | |
| 5 | | |
| 6 | GND | Camera DC power ground |

Definition of 6-pin power port



Spectrogram

